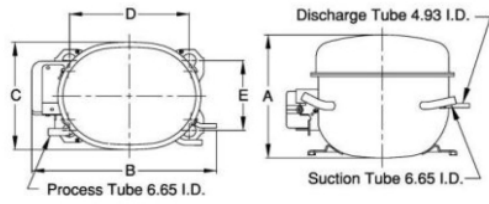


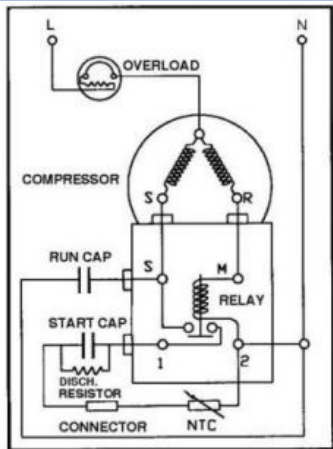


PRINCIPAL DIMENSIONS - mm



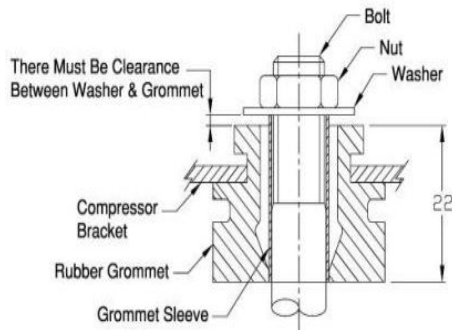
A: 212	B: 265	C: 155	D: 165	E: 102
--------	--------	--------	--------	--------

SCHEMATIC WIRING DIAGRAM C.S.R.



SCHEMATIC WIRING DIAGRAM -

MOUNTING KIT



Electrical : 220-240 V/50 Hz. 1 Phase

Nominal Performance

Capacity	700 / 720 Watts
	2,388 / 2,457 BTU/Hr
	602 / 619 Kcal/Hr
Power Input	560 / 586 Watts
Locked Rotor Amps	15.70 / 15.70 Amps
Max Continuous Current	- / - Amps
Rated Load Amps	2.88 / 2.90 Amps
COP	1.25 / 1.23 Watts / Watts
EER	4.27 / 4.19 BTU/W-Hr

Testing Conditions

Condensing Temperature	54.40 °C	129.9 °F
Evaporating Temperature	-23.30 / - °C	-9.9 / - °F
Liquid Temperature	32.20 °C	90.0 °F
Return Gas Temperature	32.20 °C	90.0 °F
Ambient Temperature	32.20 °C	90.0 °F

Application

Evaporating Temp. Range	LBP	@ -40.00 °C to -12.20 °C (-40.0° F to 10.0° F)
	Heat Pump	- °C to - °C (-° F to -° F)
Refrigerant	R404A/R507	
Refrigerant Flow Control	Capillary Tube	
Compressor Cooling	Fan	

Compressor and Motor data

Compressor Type	Reciprocating
Displacement	16.08 cc.
Oil Type	Polyolester Oil
Oil Charge	407 cc.
Motor Type	C.S.R. ; 2 Pole 2,850 / 2,850 r/m
Voltage Range	187-264/- Volts 50/- Hz.
Winding Resistance at 25 °C	
Start	12.77 Ohms
Run	4.30 Ohms
Weight with Oil	12.01 Kg.
Weight with Oil and Accessories	12.66 Kg.

Electrical Components

Motor Protector	
Type	External 3/4"
Model Number	KME664-10/C
Open / Close	115-125 / 78-60 °C
1st Cycle trip at 25 °C	15.20 Amps(main) - Amps(start)
Motor Starter	
Type	Current Relay
Model Number	KME682-8NT
Pick Up (max.)	8.00 Amps
Drop Out (min.)	7.00 Amps
Terminal Cover	KMD 901-12
Start Capacitor	43-52 µF 330 VAC.
Disch Resistor for Start Cap	15000 Ohms 2 W
Run Capacitor	8 µF 450 VAC.

Mounting Kit

Rubber Grommet	4007KMD905-3
Sleeve Grommet	3KMD903-2-Z
Washer	4023KEB387

Since we are constantly improving our product , the specification are subject to change without notice.

REV. DATE	C / N No.
18-11-17	0449/17

Certificate Marks

